



HYPERBOLOID CONTACT PERFORMANCE:

MATING PIN Ø		CURRENT RATING (AMPS)	CONTACT RESISTANCE (MILLIOHMS)	INSERTION FORCES (AVG.) (OUNCES)	LIFE CYCLES
INCH	mm				
0.018	(0.450)	2.50	<10.00	0.75	>100,000 ↓
0.030	(0.762)	5.00	<5.00	1.00	
0.040	(1.016)	7.50	<2.50	2.00	
(0.059)	1.500	12.50	<1.50	2.50	
0.062	(1.575)	12.50	<1.50	2.50	
(0.098)	2.500	20.00	<1.00	12.00	
(0.138)	3.500	35-50	<0.50	14-18	
(0.169)	4.300	100	<0.40	30.00	
(0.241)	6.120	200	<0.25	7.5 lbs.	

- NOTES:
- Sizes shown are the most common and do not include all sizes currently in production. Diameter sizes in parenthesis are derived.
 - Current ratings shown are for continuous duty and are conservative. Substantially higher duty service may be possible depending on the actual application. Please request further information from the factory.
 - Contact resistance values are for low level voltage application and can be reduced even further by employing more than the standard number of HYPERBOLOID wires for a given contact size. Even when subject to severe environments HYPERBOLOID contact resistance values remain flat, or even decrease, over very long periods of time and mate/demate cycling. Life cycling will usually exceed the 100,000 shown by substantial margins.
 - HYPERBOLOID interconnects are unequalled for service under severe shock and vibration. They exhibit no intermittence through test levels exceeding 300 G's.
 - IEH is pleased to consider custom designs. Please contact our Sales Department for your application specific needs.**

HYPERBOLOID MATERIALS:

PINS: Beryllium Copper, Phosphor Bronze, and Brass.

HYPERBOLOID Sockets: Brass shell, Brass and Phosphor Bronze terminals, and Beryllium Copper wires.

FINISH OPTIONS: (All components plated copper and 50-100Uin. nickel before topcoat)

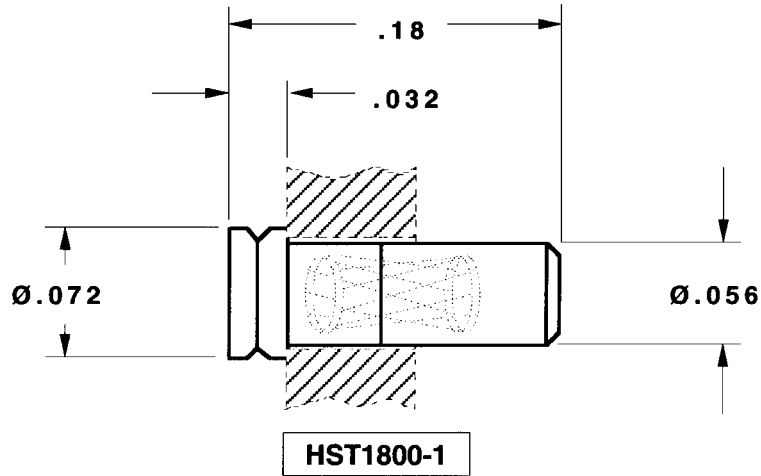
	SUFFIX	DESCRIPTION
PINS	-29	10 Uin. gold
	-18	20 Uin. gold
	-12	50 Uin. gold
SOCKETS		10 Uin. gold on terminal; gold on mating wires; nickel on shell
		20 Uin. gold on terminal; gold on mating wires; nickel on shell
		50 Uin. gold on terminal; gold on mating wires; nickel on shell

ORDERING INFORMATION: To order parts, use the boxed part number and append the "Finish Option" suffix for the chosen plating.

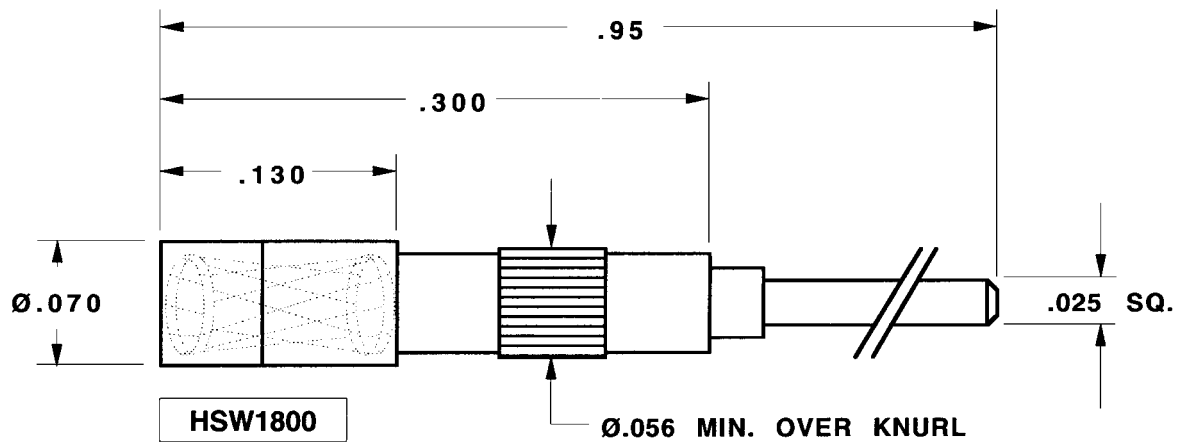


1800 SERIES - HYPERBOLOID SOCKETS - Accepts $\text{\O}0.018$ pins

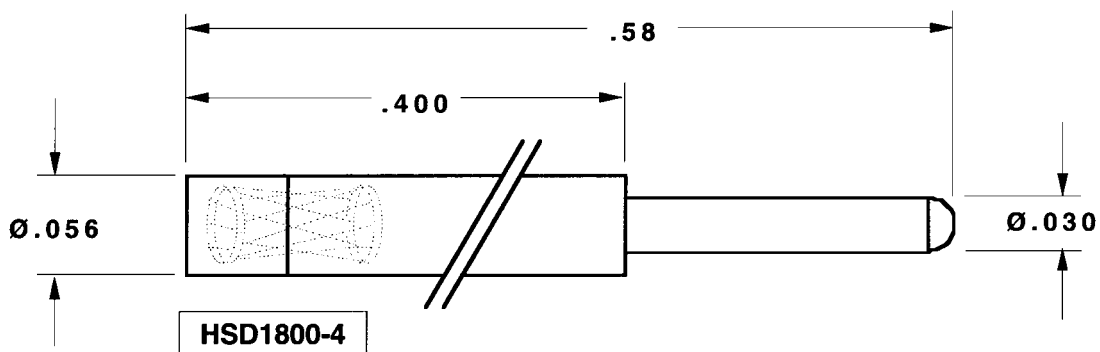
PWB



WRAP



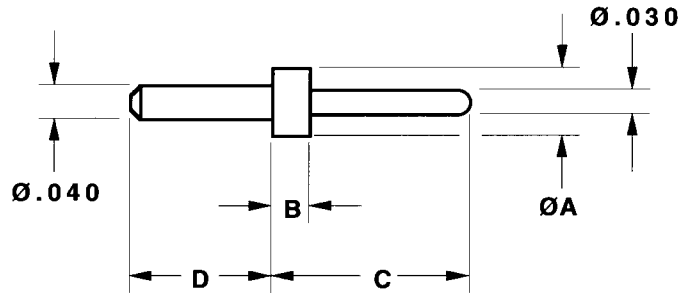
DIP SOLDER





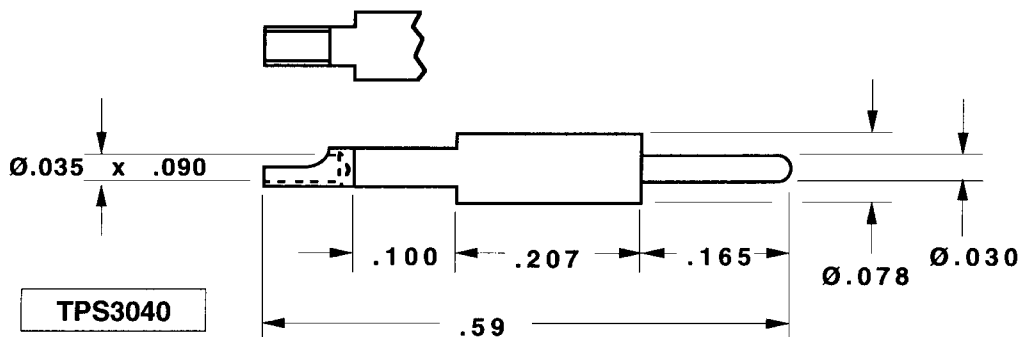
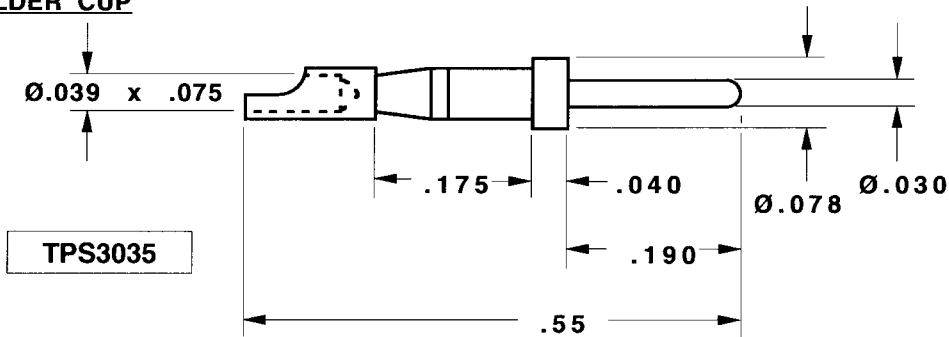
3000 SERIES - PINS

DIP SOLDER



PART NO.	ØA	B	C	D	NOTES
TPD3050	.078	.040	.220	.110	
TPD3051	.062	.040	.220	.082	
TPD3052	.078	.040	.220	.165	
TPD3053	.078	.040	.220	.130	
TPD3054	.078	.040	.220	-	
TPD3055	.078	.125	.305	.110	
TPD3056	.078	.040	.220	.230	TERM. Ø=.025
TPD3057	.078	.175	.355	.130	
TPD3073	.093	.040	.250	.175	TERM. Ø=.030

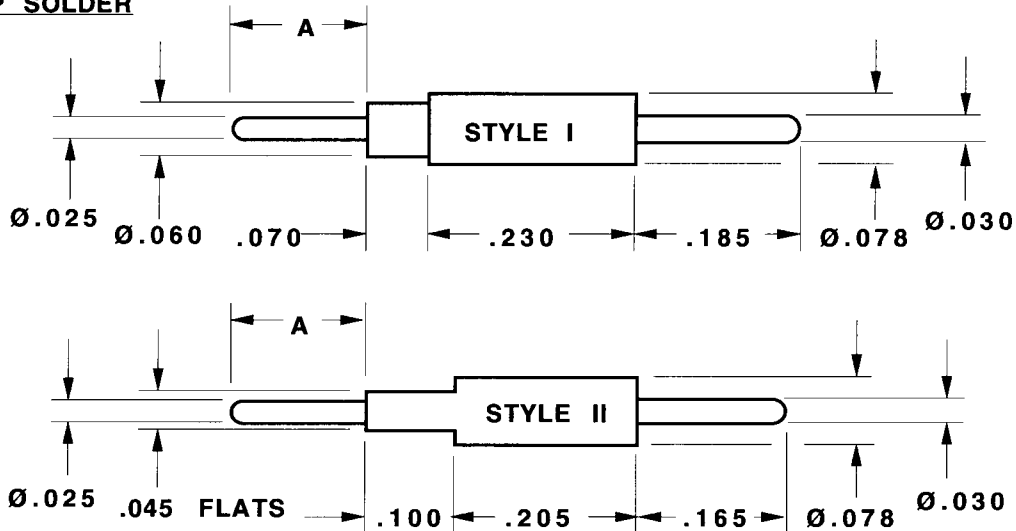
SOLDER CUP





3000 SERIES - PINS

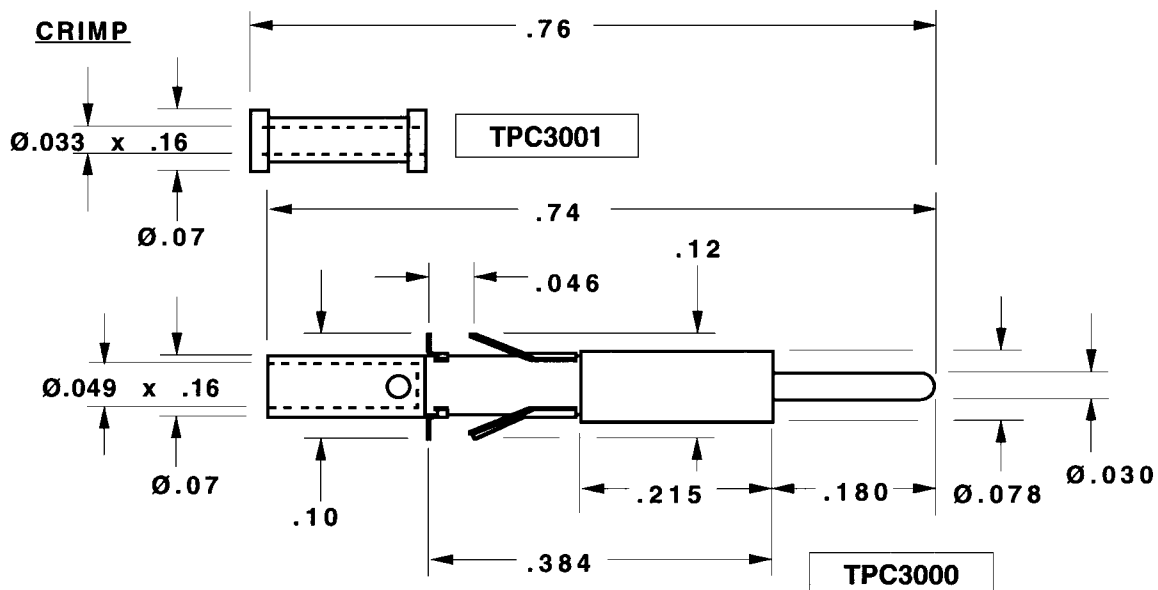
DIP SOLDER



PART NO.	STYLE	A*	LOA(REF)
TPD3031	I	.18	.67
TPD3032	I	.21	.70
TPD3039	II	.12	.60
TPD3040	II	.16	.63

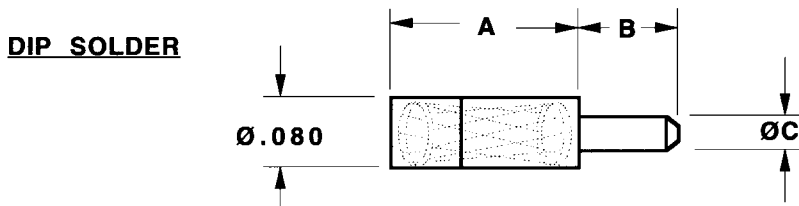
* Additional terminal lengths available.
Contact factory.

CRIMP



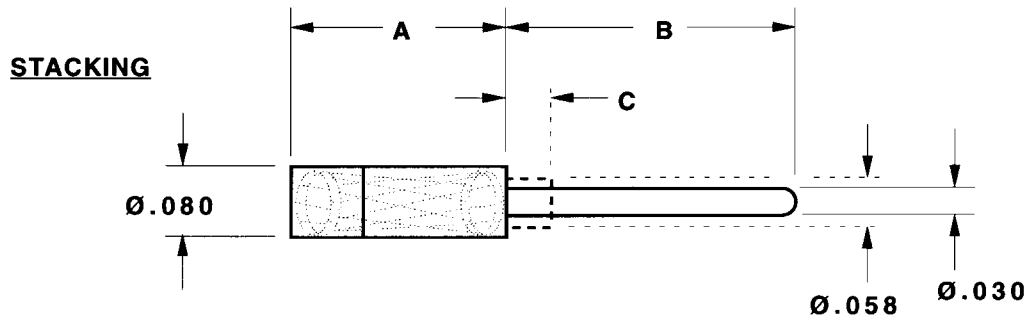


3000 SERIES - HYPERBOLOID SOCKETS - Accepts $\varnothing.030$ pin



PART NO.	A	B*	C
HSD3000-2	.366	.150	.040
HSD3001-22	.860	.175	.030
HSD3002-1	.210	.110	.040
HSD3002-2	.210	.140	.040
HSD3002-3	.210	.160	.040
HSD3002-4	.620	.080	.040
HSD3002-5	.315	.103	.030
HSD3002-6	.210	.140	.040
HSD3002-50	.210	.110	.040
HSD3030-1	.600	-	-
HSD3060-1	.350	.185	.040
HSD3060-3	.350	.210	.040
HSD3060-4	.350	.350	.040

* Additional terminal lengths available.
Contact factory.

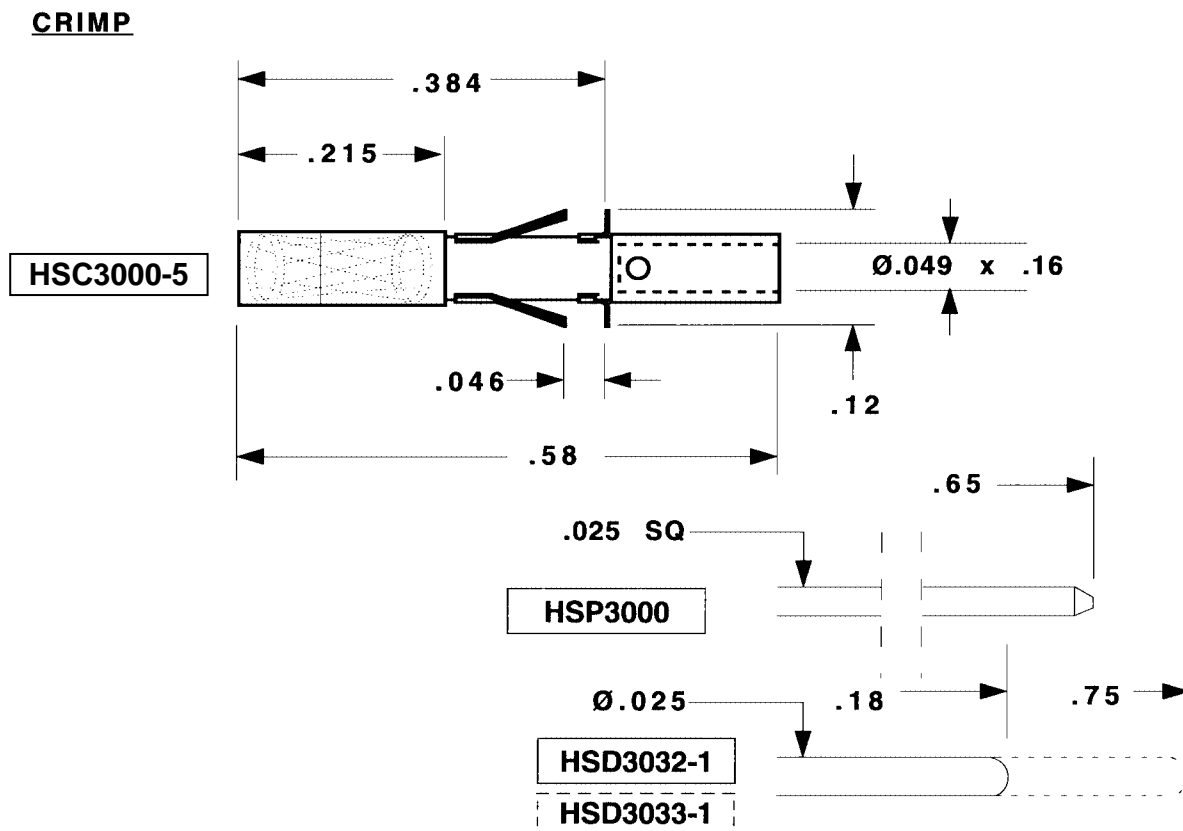
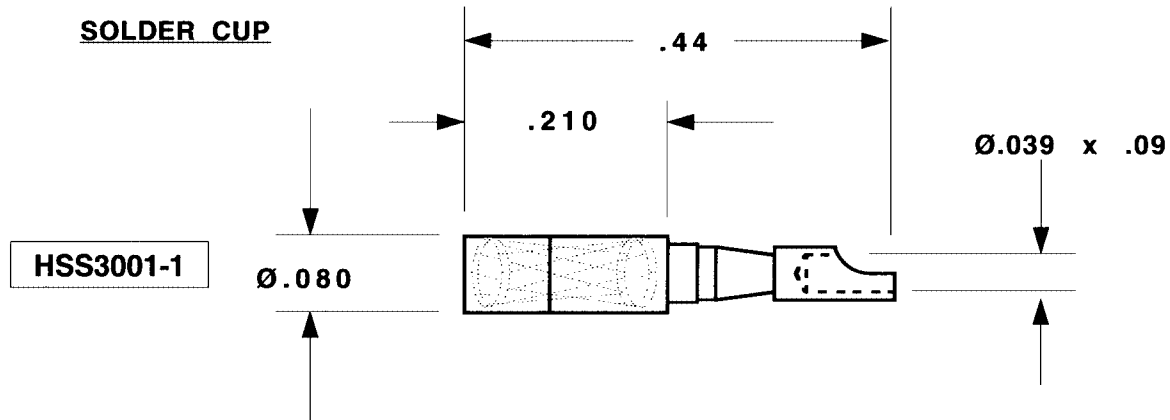


PART NO.	A	B*	C
HSA3000-6	.262	.310	-0-
HSA3000-7	.232	.518	.050
HSA3000-8	.232	.568	.050
HSA3000-9	.232	.608	.050
HSA3000-10	.262	.480	-0-

* Additional terminal lengths available.
Contact factory.



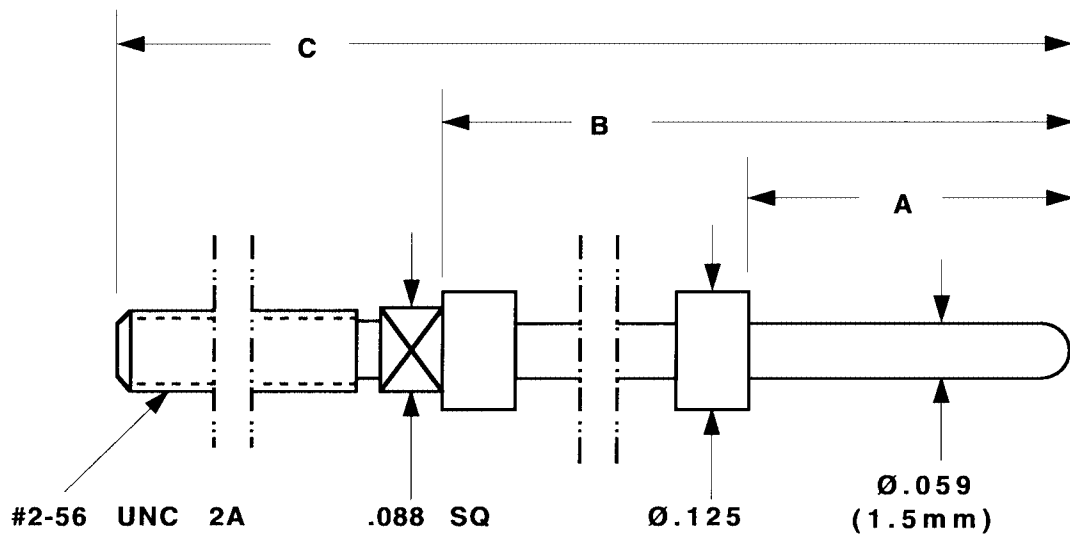
3000 SERIES - HYPERBOLOID SOCKETS - Accepts $\text{\O}0.030$ pin





5900 SERIES (1.5MM) - PINS

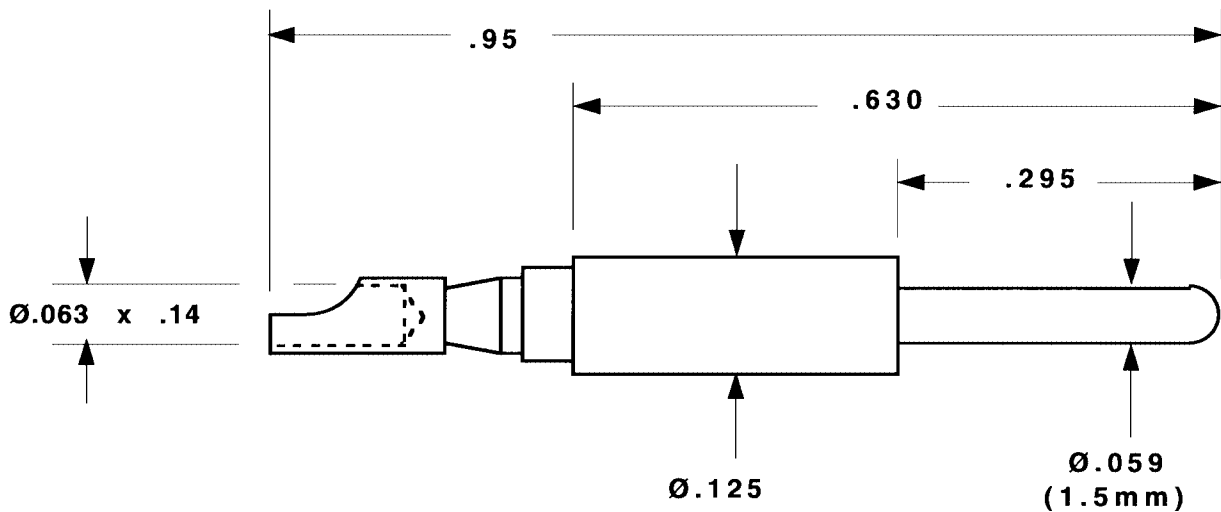
**THREADED
STUD**



PART NO.	A	B	C
TPT5900	.330	.795	1.31
TPT5901	.295	.760	1.28

SOLDER CUP

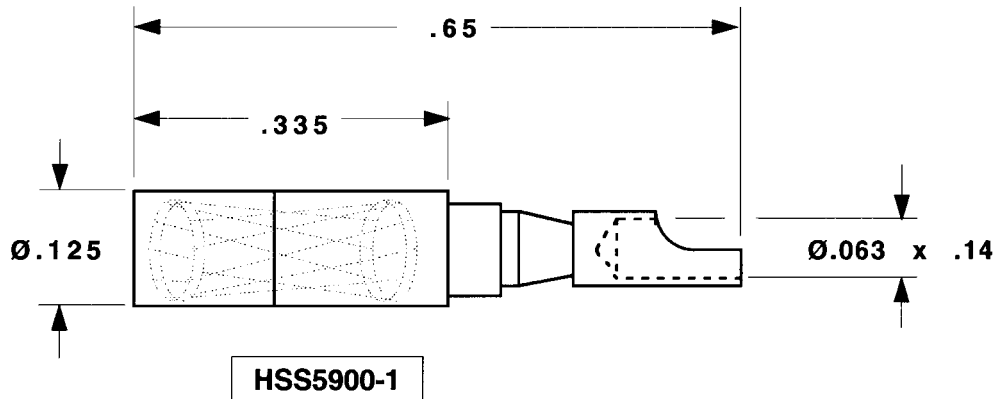
TPS5900



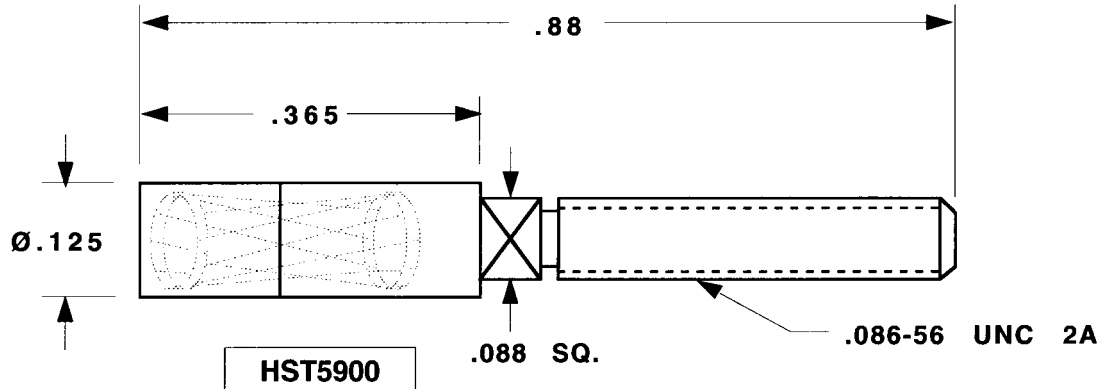


5900 SERIES - HYPERBOLOID SOCKETS - Accepts $\text{\O}0.059$ (1.5mm) pin

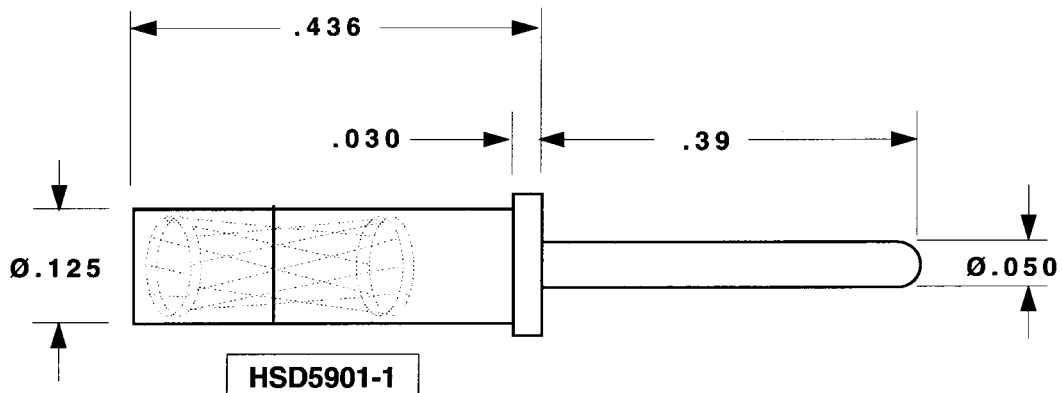
SOLDER CUP



THREADED STUD



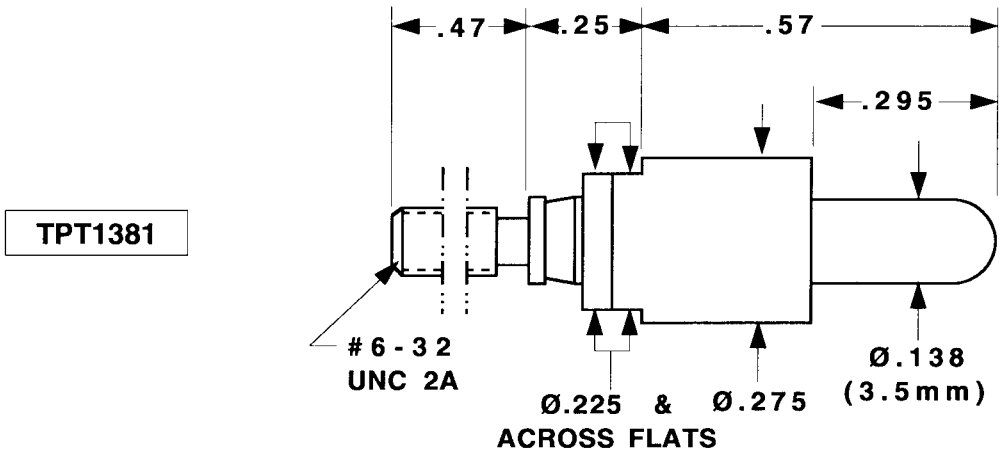
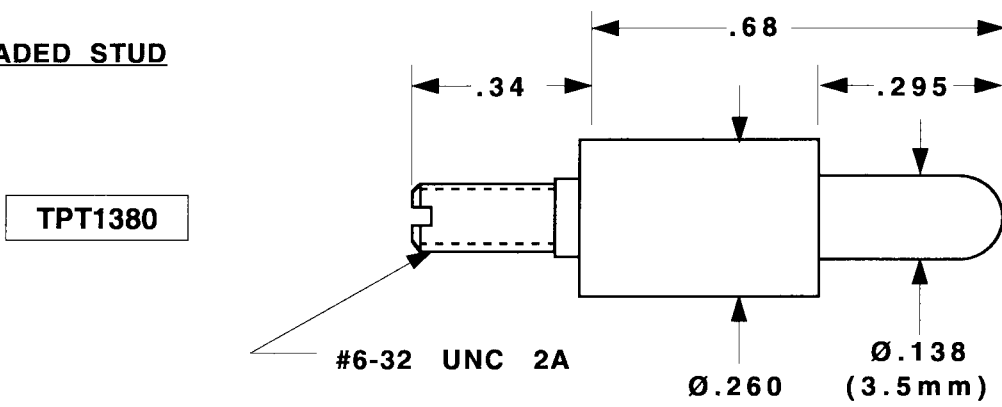
DIP SOLDER



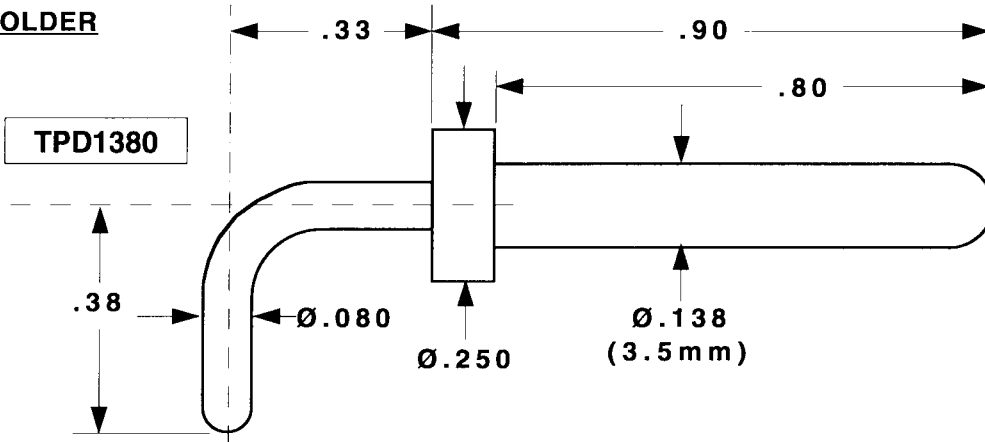


1380 SERIES (3.5MM) - PINS

THREADED STUD



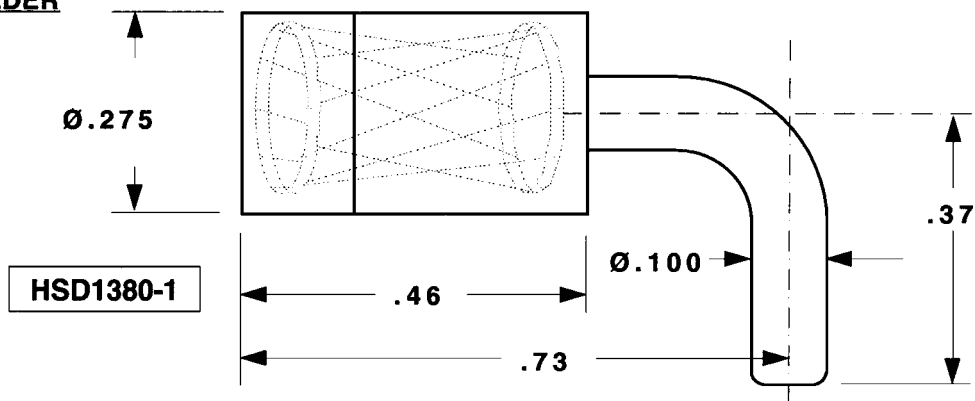
DIP SOLDER



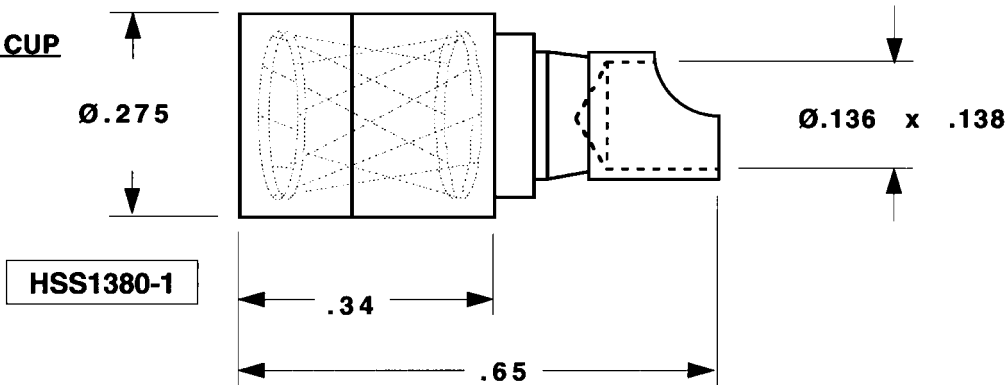


1380 SERIES - HYPERBOLOID SOCKETS - Accepts $\text{\O}.$ 138 (3.5mm) pin

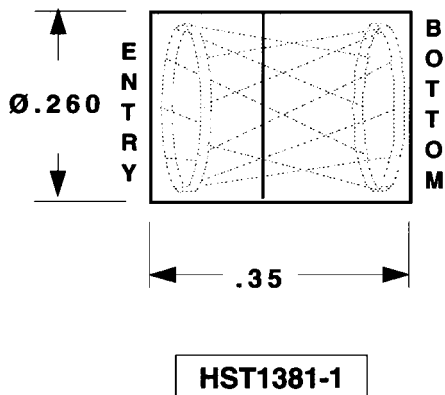
DIP SOLDER



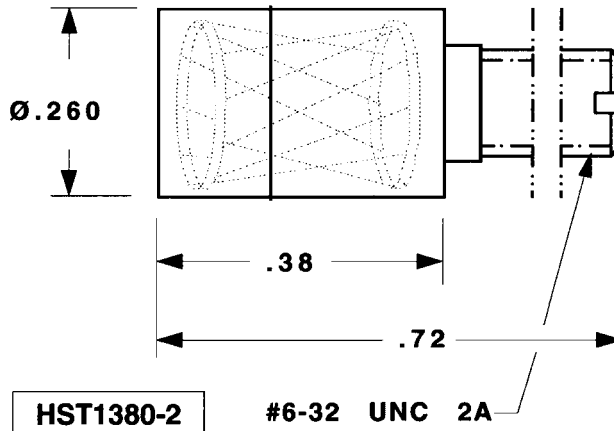
SOLDER CUP



CLOSED BOTTOM



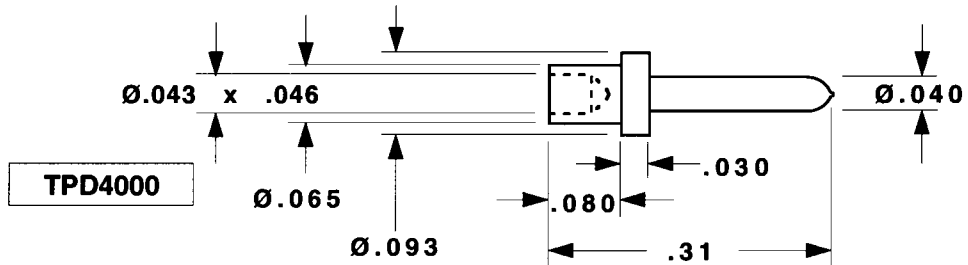
THREADED STUD



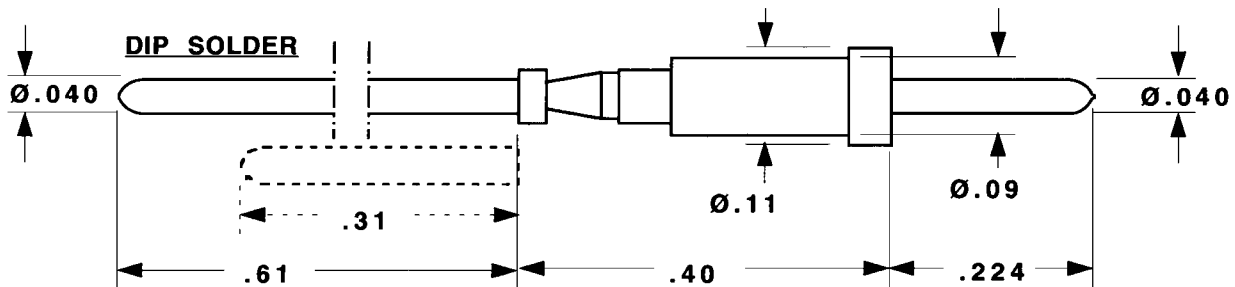
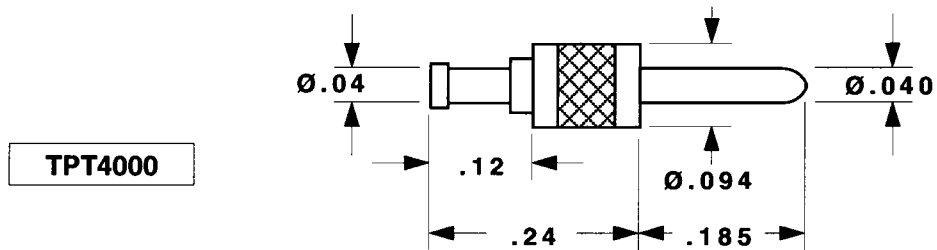


4000 SERIES - PINS

RIVET

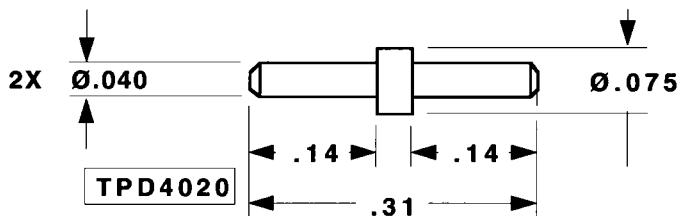


TURRET

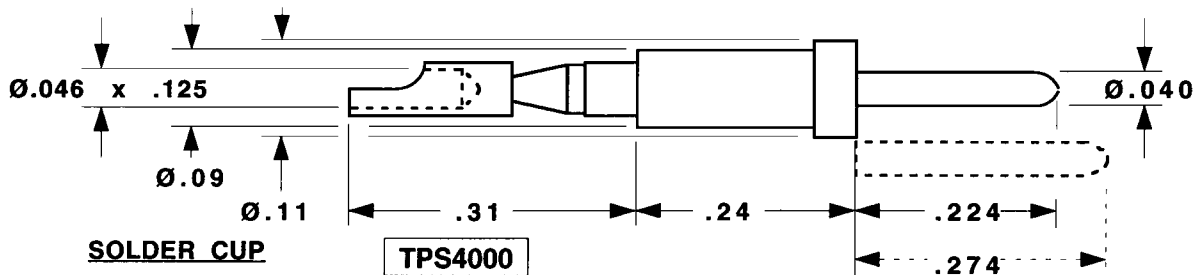


TPD4010

TPD4011



TPD4020



SOLDER CUP

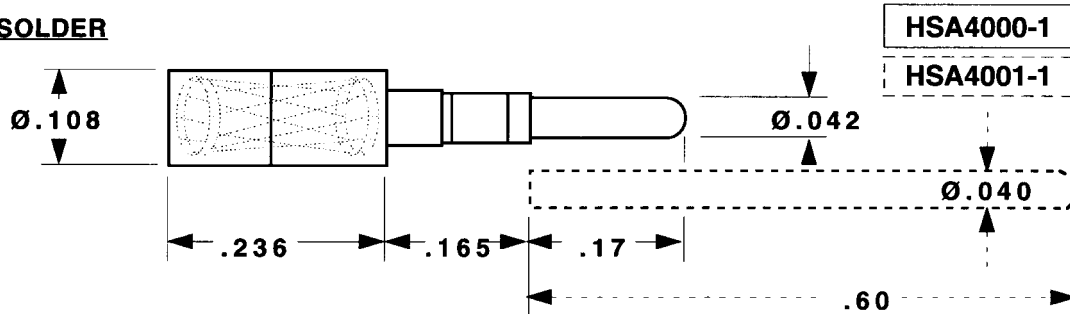
TPS4000

TPS4001

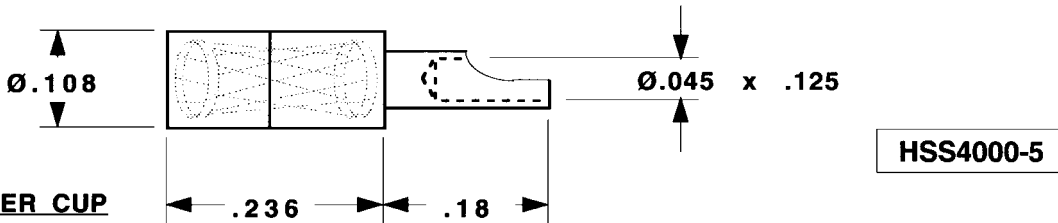


4000 SERIES - HYPERBOLOID SOCKETS - Accepts $\text{\O}0.040$ pin

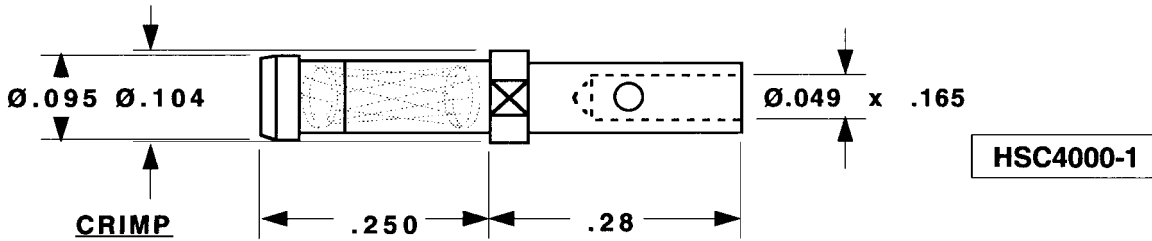
DIP SOLDER



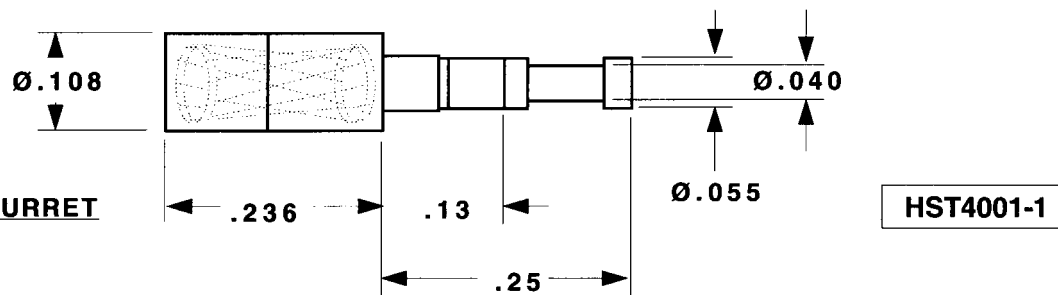
SOLDER CUP



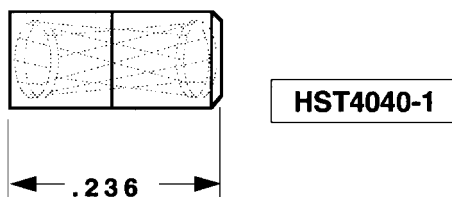
CRIMP



TURRET

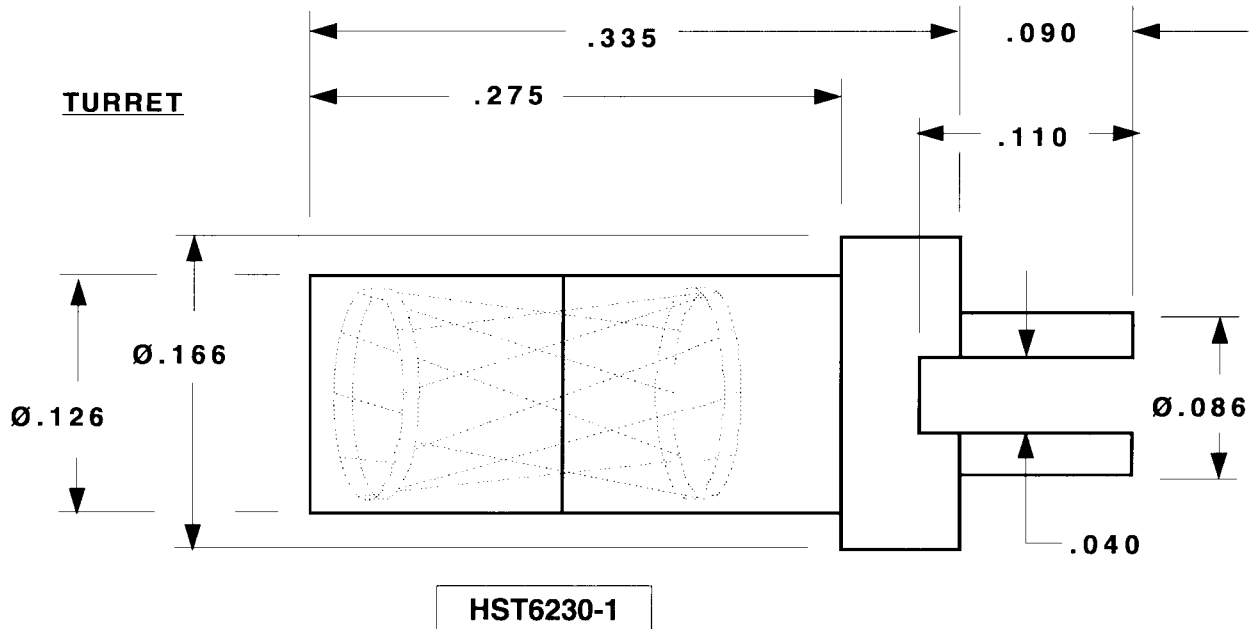
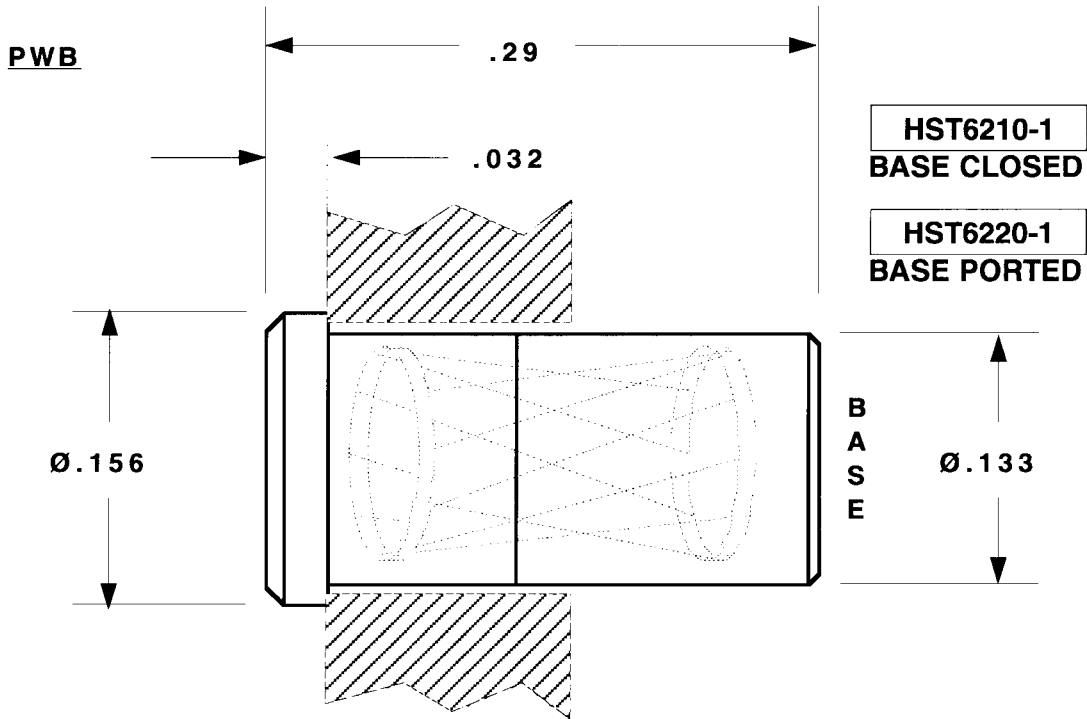


$\text{\O}0.108$





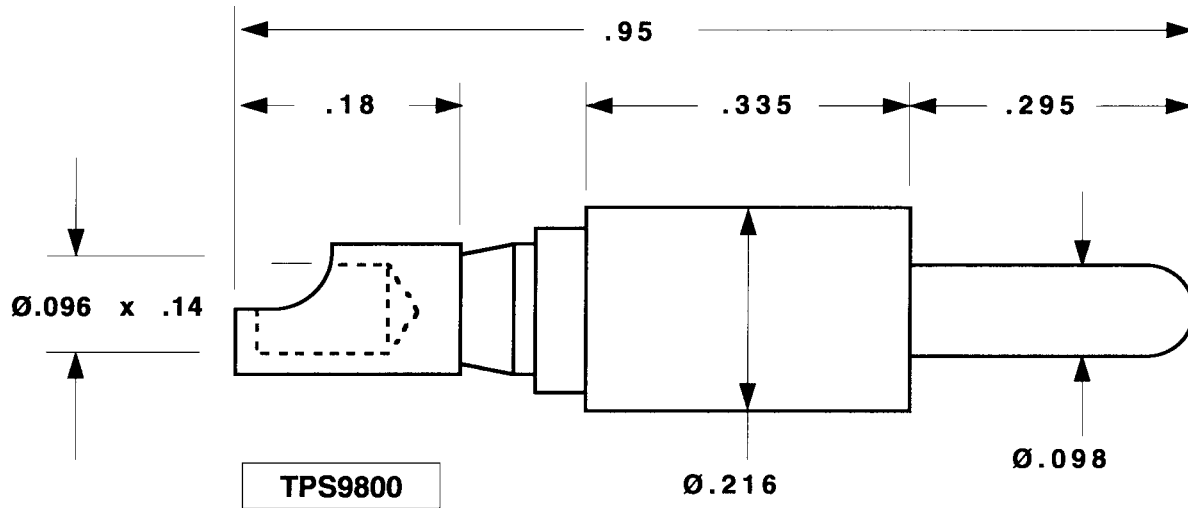
6200 SERIES - HYPERBOLOID SOCKETS - Accepts $\text{\O}0.062$ pin





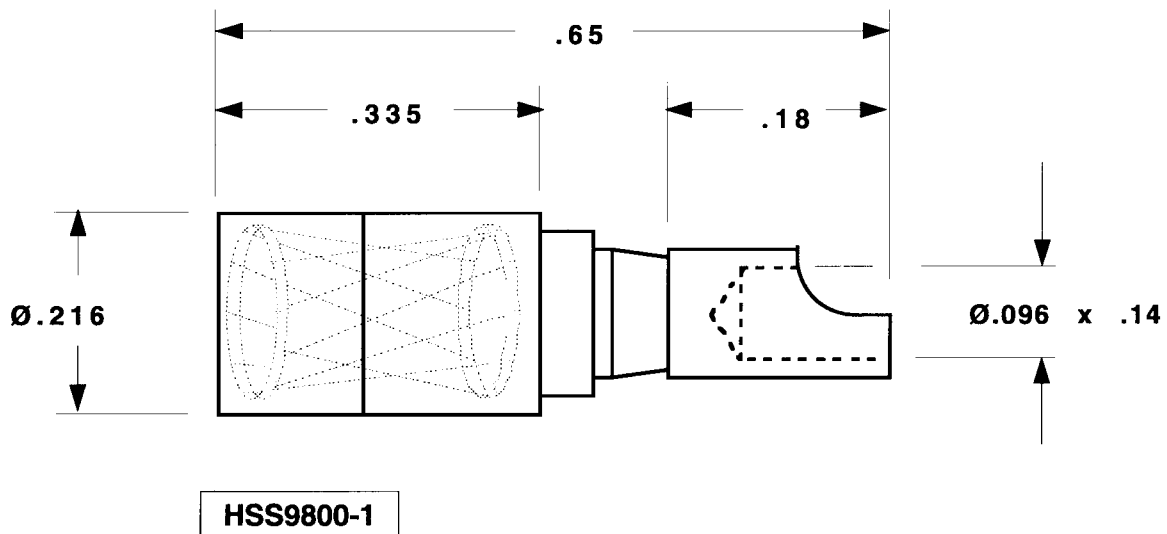
9800 SERIES - (2.5MM) - PIN

DIP SOLDER



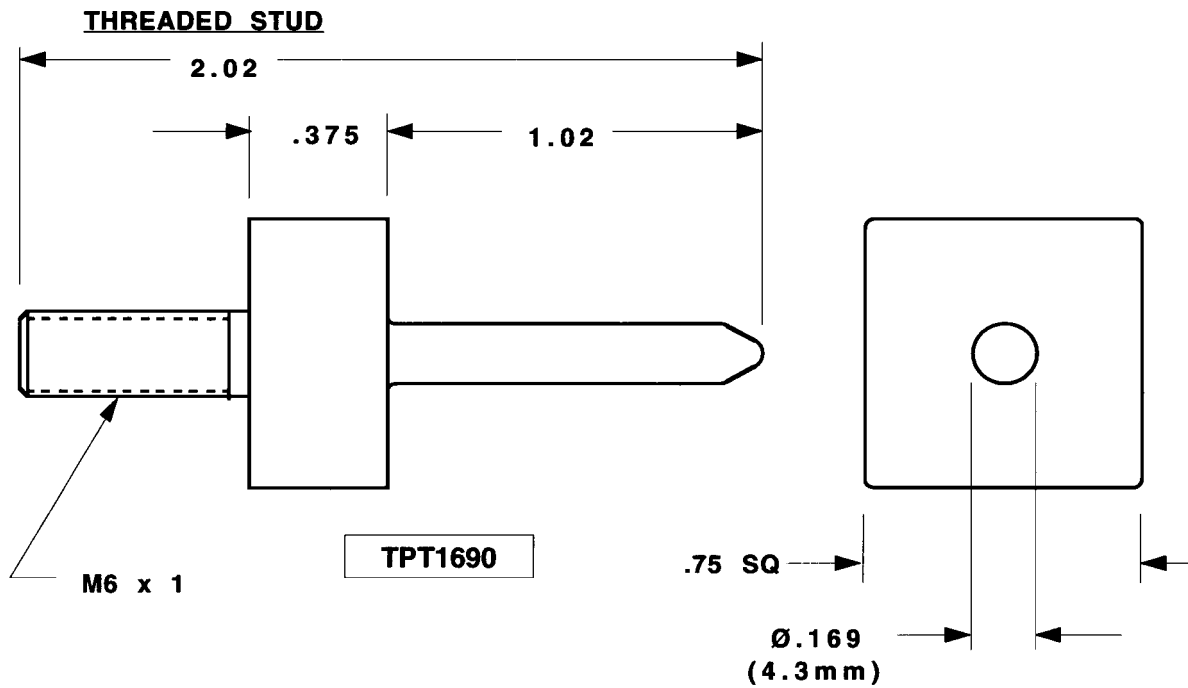
9800 SERIES - HYPERBOLOID SOCKET - Accepts $\varnothing.98$ (2.5mm) - Pin

DIP SOLDER

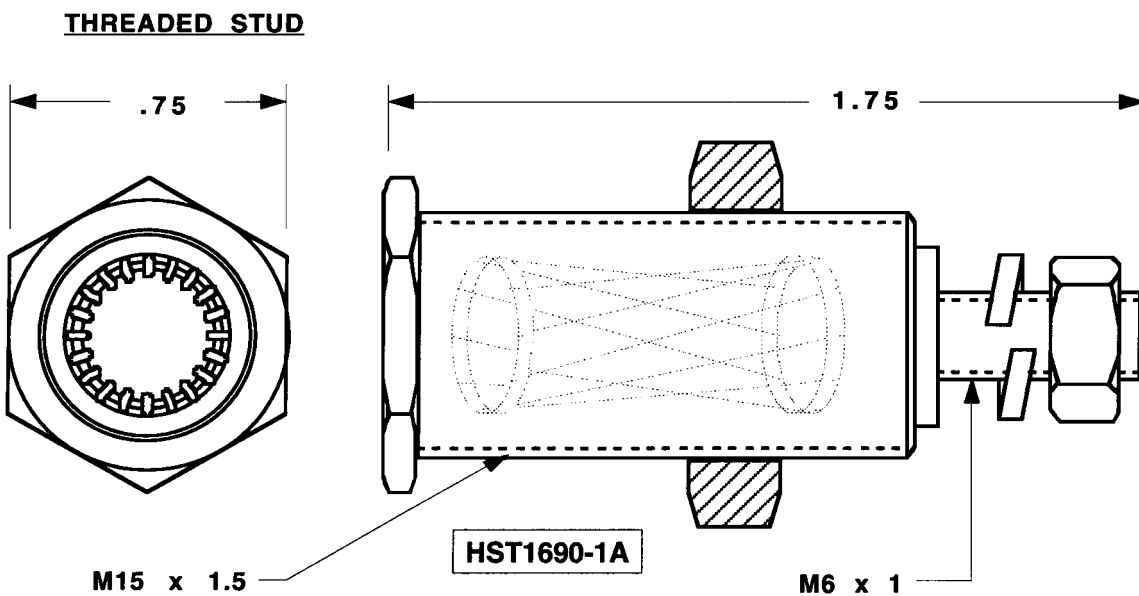




1690 SERIES (4.3MM) - PIN

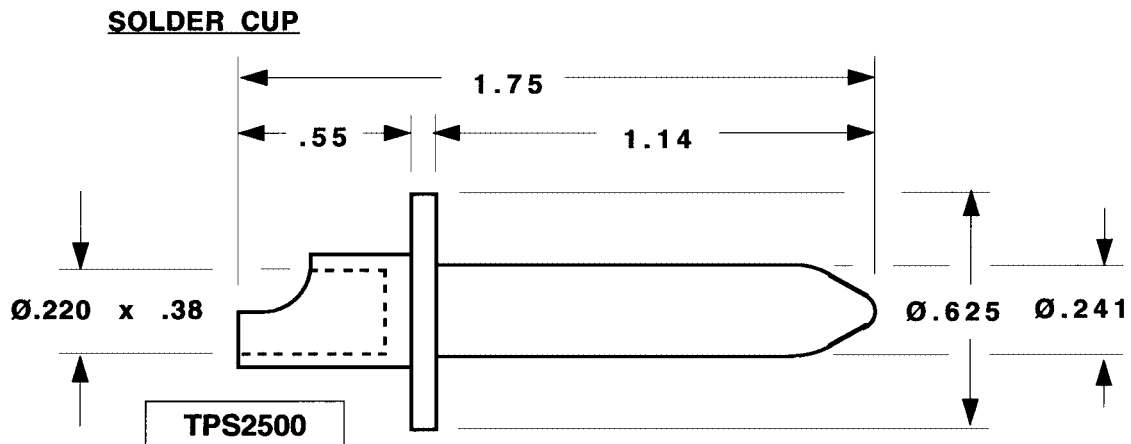
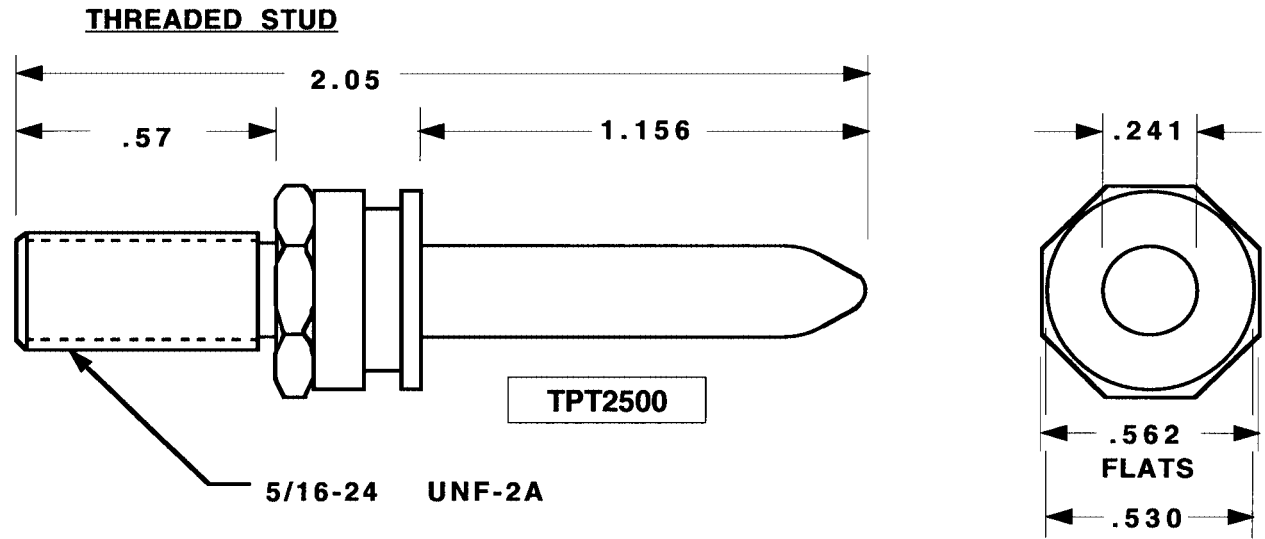


1690 SERIES - HYPERBOLOID SOCKET - Accepts Ø.169 (4.3mm) - Pin





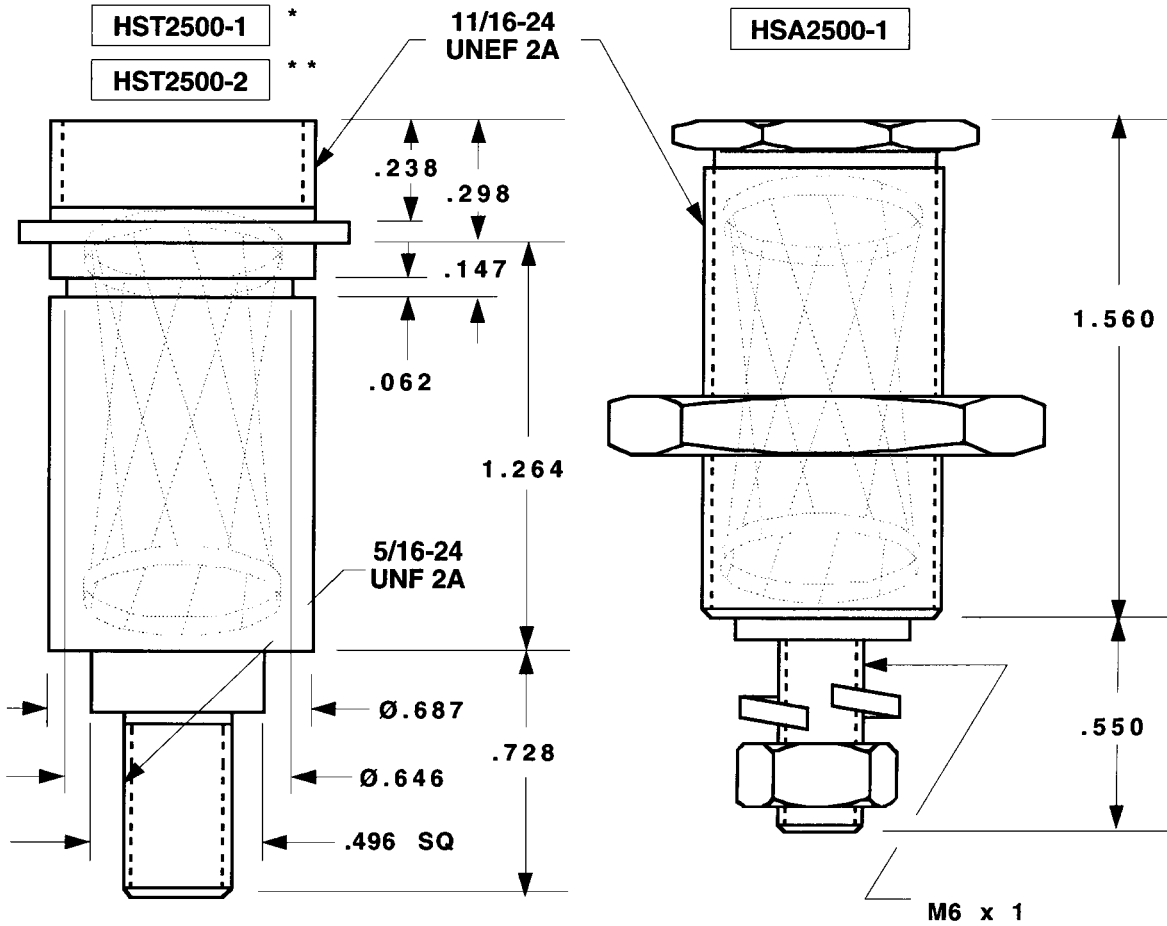
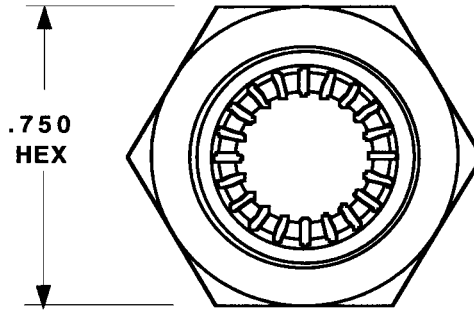
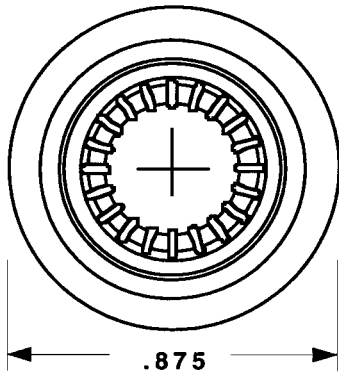
2500 SERIES - PINS





2500 SERIES - HYPERBOLOID SOCKETS - Accepts Ø.241 pin

THREAD (SNAP RING) MOUNT



* WITH .062 UNDERCUT, NO 11/16-24 THREAD
 ** WITH 11/16-24 THREAD, NO UNDERCUT